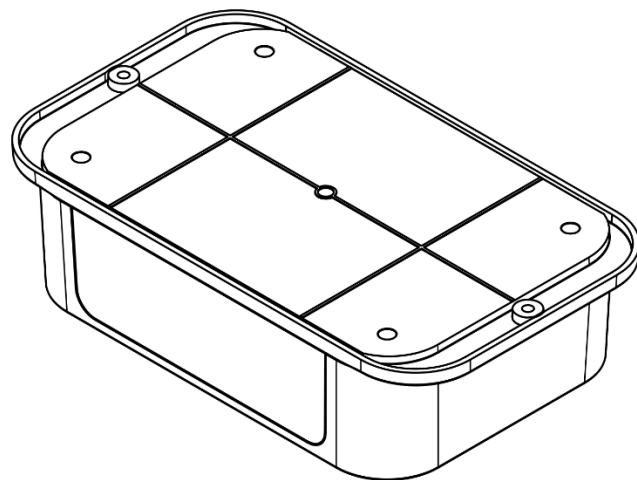
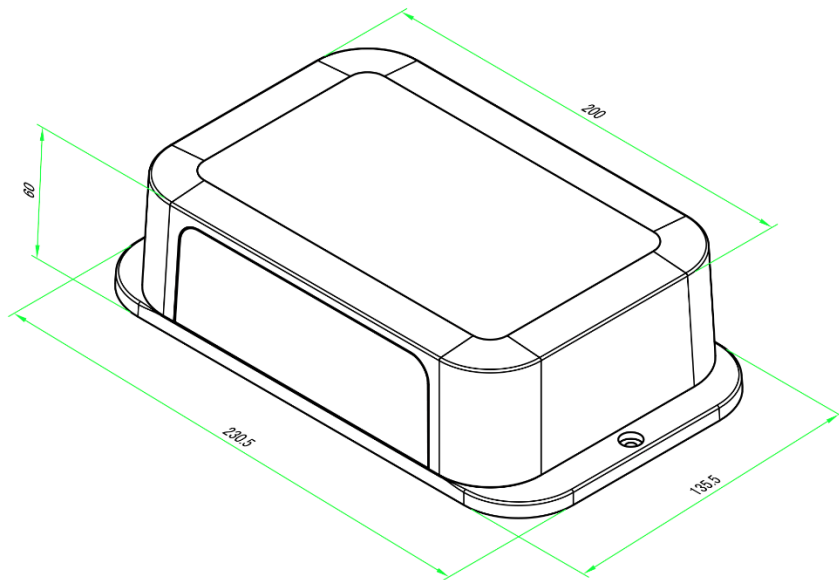
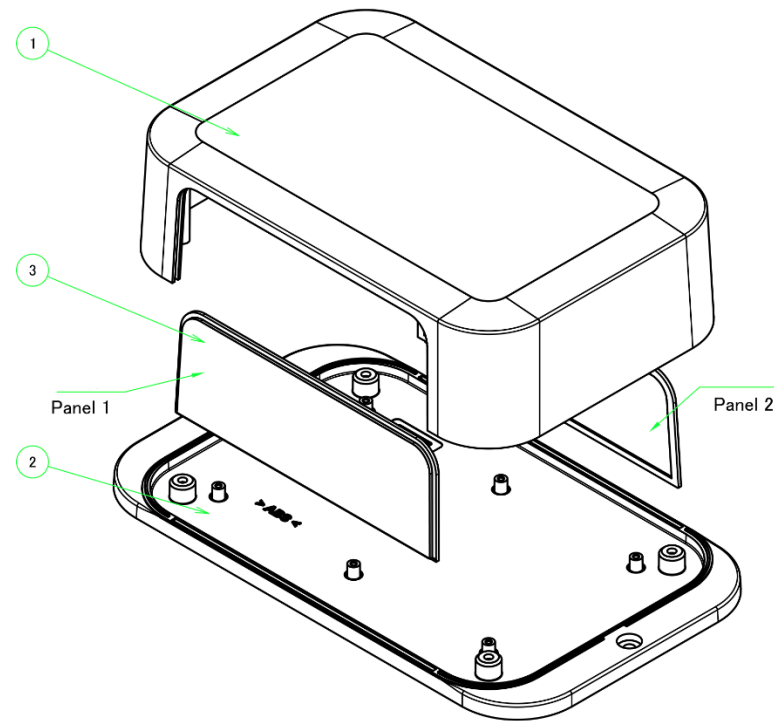




PLANOS ARVI POWERB

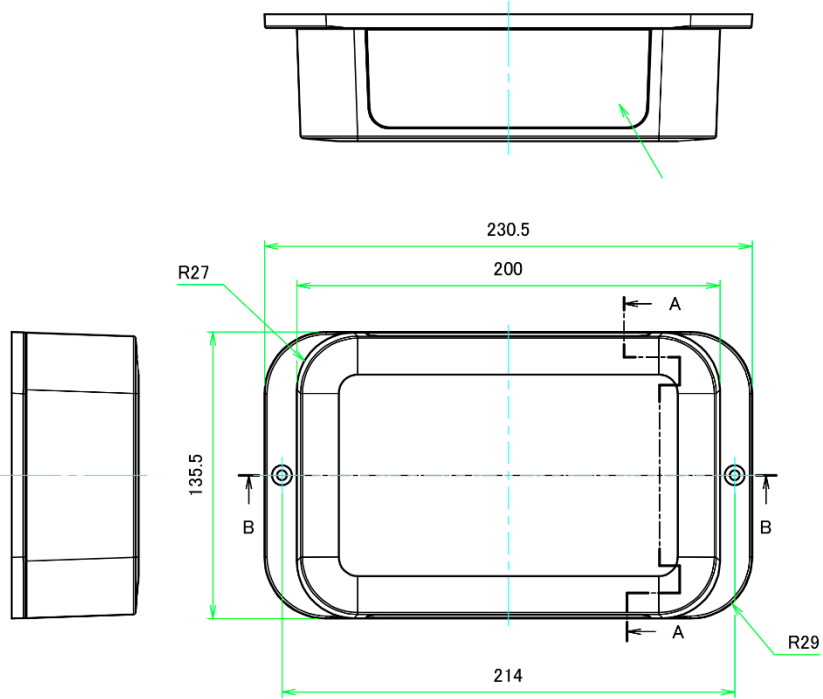


| Components | | | | |
|------------|--------------|-----|-----------------------------|--------------|
| No. | Part name | Pcs | Material | Color·Finish |
| 1 | Top cover | 1 | Flame-resistant ABS UL94V-0 | Off-white |
| 2 | Flanged base | 1 | Flame-resistant ABS UL94V-0 | Off-white |
| 3 | Panel | 2 | Flame-resistant ABS UL94V-0 | Off-white |

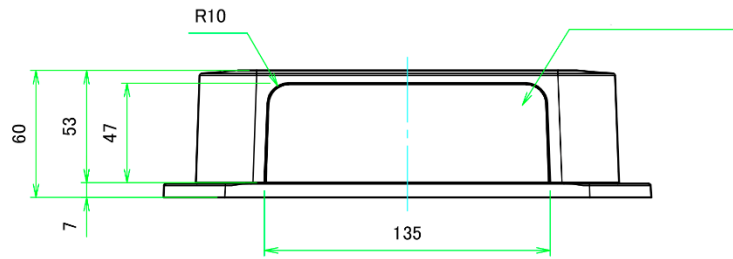
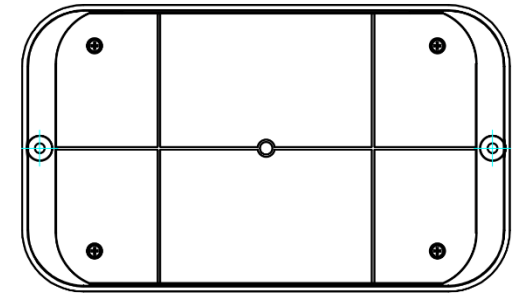
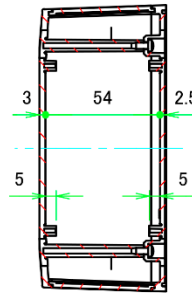


Technical Date ■
 Operating temperature : -10°C ~ +60°C

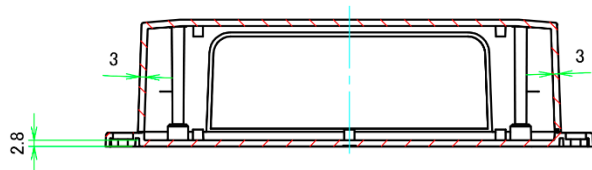
| | | | | |
|---|--------------------|--------------------|--------------------------------------|-----------------------|
| ARVIKON ARVIMARINE CONTROL SYSTEMS SL | | | Title ARVIKON LEISURE CASE | |
| Approved | Checked | Created | Product number | Scale 1:2.5 |
| | | | Date 08/03/2022 | |







A-A (1 : 2.5)



B-B (1 : 2.5)



| | | | | |
|---|---|----------------|--------------------------------------|---|
|  ARVIMARINE CONTROL SYSTEMS SL | | | Title ARVIKON LEISURE CASE |  |
| Approved  | Checked  | Created | Product number | Scale 1:2.5 |
| | | | Date | 08/03/2022 |